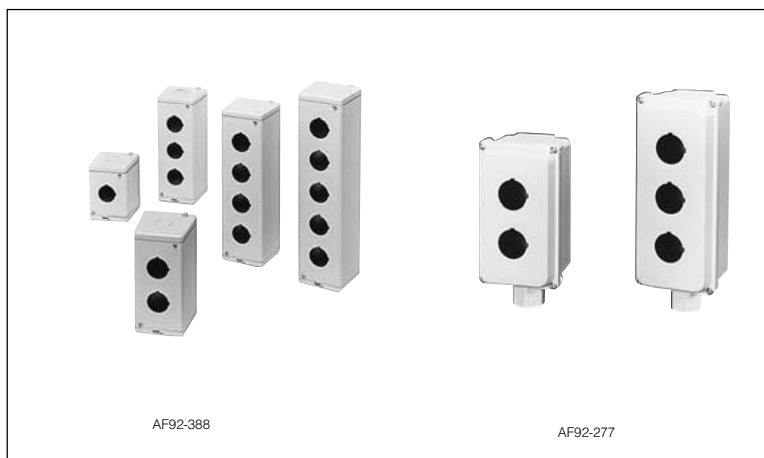


■ **Description**

- **Enclosed type**
Enclosed type steel boxes finished respectively with one to five holes. Rounded, smooth design. Selectable from the 22mm, 25mm, and 30mm dia. series command switches according to the application.
- **Dust protected type, protected against water jets**
Made of lightweight, strong aluminum die-casting. Rounded, smooth design. Series of models finished respectively with one to four holes. (Note: Only 22 dia. series models incorporate four holes.)



■ **Type number nomenclature**

AHX 9 0 1 A
① ② ③ ④

① **Product category**
AHX: Type

② **Size of mounting hole**
2: 22mm dia. series
1: 25mm dia. series
0: 30mm dia. series
9: without hole

③ **Number of mounting hole**

- **Enclosed type**
 - 1: 1 hole*1
 - 2: 2 holes
 - 3: 3 holes
 - 4: 4 holes
 - 5: 5 holes

- **Dust protected type, protected against water jets**
 - 1: 1 hole*2
 - 2: 2 holes
 - 3: 3 holes
 - 4: 4 hole*3
 - 9: 1 hole*1

Notes: *1 Dedicated box with one hole
*2 Same as the box for two holes in external dimension
*3 Only 22mm dia. series can be manufactured

④ **Degree of protection**

- A: Enclosed type
- W: Dust protected type, protected against water jets

Dgree of Protection		Type
Enclosed-type		AHX9□1A AHX9□2A AHX9□3A AHX9□4A AHX9□5A
Dust protected type, protected against water jets	Dedicated box with one hole.	AHX929W AHX919W AHX909W AHX9□1W AHX9□2W AHX9□3W AHX924W

Replace the □ mark the Size of mounting hole code

Command boxes

AHX9

■ Specifications

Description	Enclosed type	Dust protected type, protected against water jets
Degree of Protection	IP40(IEC 60529)	IP65(IEC 60529)
Material	Steel	Aluminum die cast
Ambient temperature (No condensation or no icing)	-25 to +50°C	
Humidity	45 to 85% RH(with in -5 to +40°C)	
Applicable type *1	22, 25, 30mm dia.Command switch series AK22, RC310-F Cam type selector switch 30mm dia. short-body type meter	See the description in the below: Mountable switches and degree of protection
Depth	73mm	84mm
Laed hole	Knockout hole (22mm dia. top side , 27mm dia. bottom side)	
Options	Mounting bracket: A mounting bracket is available, with which the command box can be mounted vertical or at an angle of 15 (see page 04CD/4/4)	
	Command boxes incorporating switches are available	

Note: *1 Check the effective depth of the box when selecting mountable switches.

■ Mountable switches and degree of protection (Dust protected type, protected against water jets)

The degree of protection of the command box is IP65, which, however, changes according to the device to which the command box is mounted. Check the depth of the command box when selecting the device. Consult your Fuji Electric FA representative when using the command box outdoors (e.g., plating factory yards, seashores, and places exposed to special cutting oil).

Conforms to IEC standard IP65 (Dust protected type, protected against water jets)

•25mm dia. 30mm dia. series pushbuttons.*

Note: *Except for conform to IEC standard IP40 (Enclosed type)

Pushbutton switches, illuminated pushbutton switches, selector switches, pilot lights, and joy stick selector switches.

•22mm dia. series pushbuttons.

Pushbutton switches, illuminated pushbutton switches, selector switches, pilot lights, and joy stick selector switches.

•Cam switch

AK22 series (22mm dia.), RC310F series (30mm dia.).

Conforms to IEC standard IP40 (Enclosed type)

•25mm dia. series pushbuttons.

Sqare head pushbutton switch, illuminated sqare head pushbutton switch, sqare head selector switches, sqare head pilot lights, sqare head pilot lights with legend plate.

•30mm dia. series pushbuttons.

Illuminated pushbutton switches(push-pull type), pilot lights with dome with dimmer control.

Note on use

■ **Precautions for panel (wall) mounting (Dust protected type, protected against water jets)**

- Do not insert M4 screws into the waterproof bushings that are press-fit into the four mounting holes of the casing and hit the screws with a hammer, or otherwise the screws will break through the waterproof bushings (see fig. 1).
- Insert the screws into the panel mounting holes and secure the screws with nuts (see fig. 2). The waterproof performance of the casing remains unchanged when the screws are inserted into the bushings.

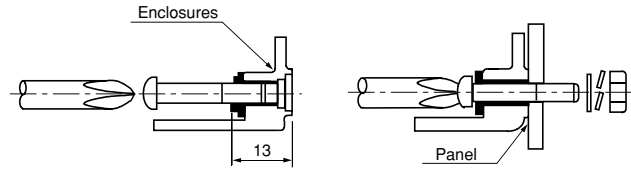
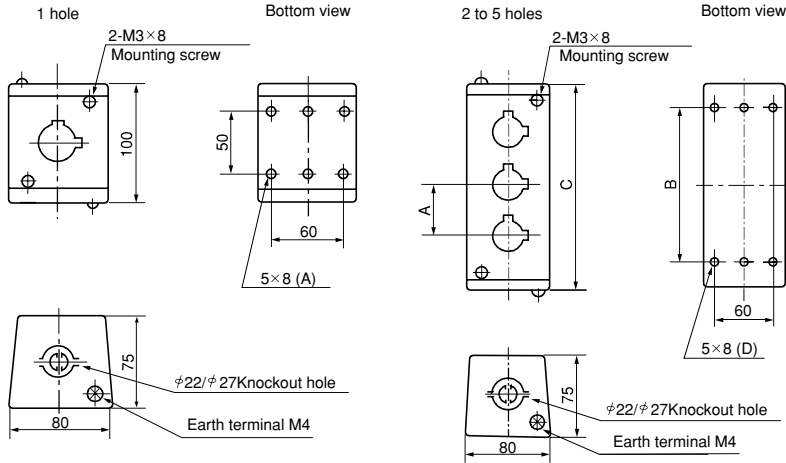


Fig.1

Fig.2

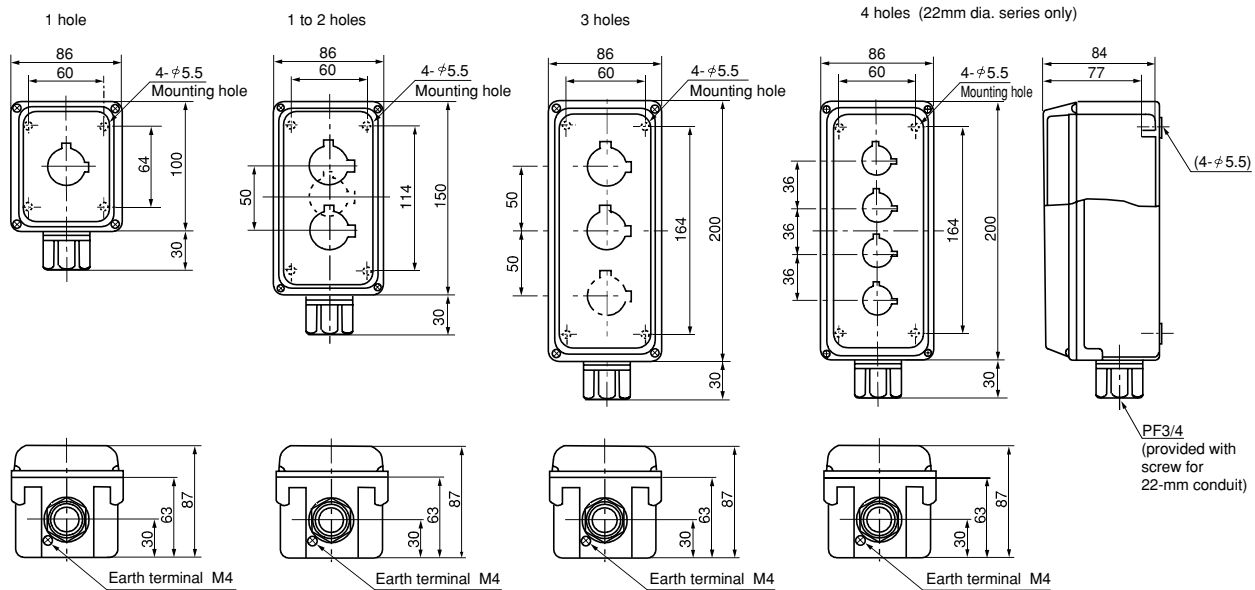
■ **Dimensions, mm:**

● **Enclosed type**

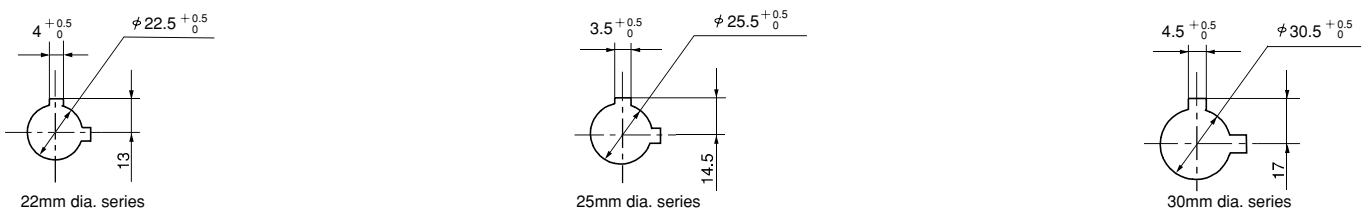


Number of holes	Dimension : mm		
	A	B	C
2	50	100	150
3	50	150	200
4	50	200	250
5	50	250	300

● **Dust protected type, protected against water jets**



● **Panel drilling (Enclosed type, Dust protected type, protected against water jets)**



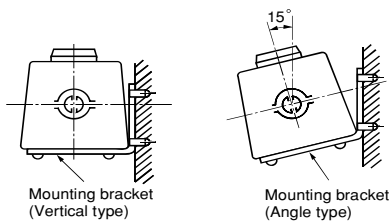
Command boxes

AHX9

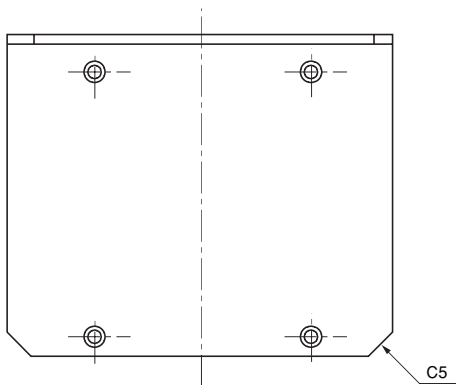
■ Accessories (for Enclosed type)

• Mounting bracket

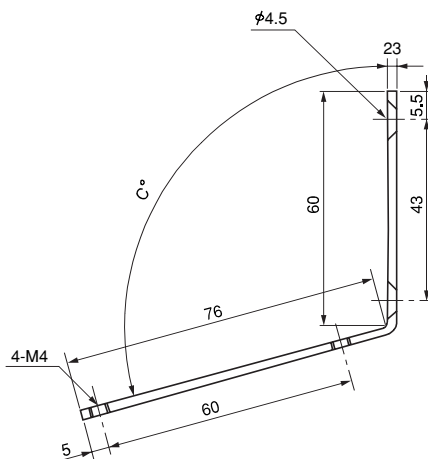
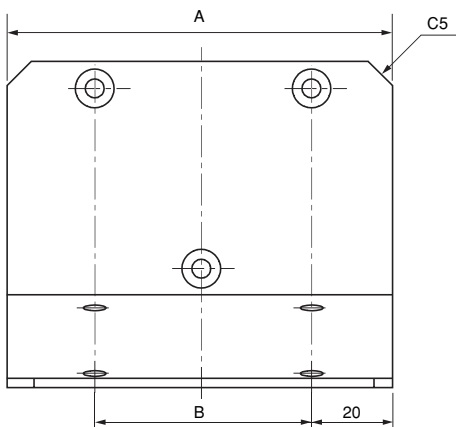
Number of holes	Mounting method	Type
1	Vertical type	AJ91S
	Angle type	AJ91K
2	Vertical type	AJ92S
	Angle type	AJ92K
3	Vertical type	AJ93S
	Angle type	AJ93K
4	Vertical type	AJ94S
	Angle type	AJ94K
5	Vertical type	AJ95S
	Angle type	AJ95K



Dimensions, mm:



Type	Dimension:mm		
	A	B	C°
AJ91S	90	50	90
AJ91K	90	50	105
AJ92S	140	100	90
AJ92K	140	100	105
AJ93S	190	150	90
AJ93K	190	150	105
AJ94S	240	200	90
AJ94K	240	200	105
AJ95S	290	250	90
AJ95K	290	250	105



■ Mass, gram

Type	Mass	Type	Mass	Type	Mass
AHX901A	300	AHX923A	520	AHX924W	610
AHX902A	410	AHX924A	660	AHX992W	490
AHX903A	500	AHX925A	780	AHX993W	620
AHX904A	650	AHX901W	480	AHX909W	390
AHX905A	770	AHX902W	480	AHX919W	390
AHX911A	300	AHX903W	600	AHX929W	390
AHX912A	410	AHX911W	490	AHX999W	400
AHX913A	510	AHX912W	490	AHX991A	310
AHX914A	660	AHX913W	590	AHX992A	420
AHX915A	770	AHX921W	490	AHX993A	520
AHX921A	300	AHX922W	490	AHX994A	670
AHX922A	410	AHX923W	610	AHX995A	790